




PRIOR

FH SERIES

SPECIFICATIONS

FAMILY RANGE

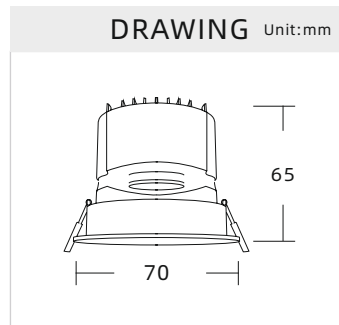
Code	Power	Dimensions	Cut-out 
FH-07	7W	Φ70*H65mm	Φ50mm
FH-10	10W	Φ90*H77mm	Φ75mm
FH-15	15W	Φ110*H92mm	Φ95mm

PARAMETERS

Efficacy	80lm/W
CRI	80
Adjustable	NO
Color Consistency	SDCM<3
Pf	0.5
Input Voltage	AC220-240V 50/60Hz
Operating Temp.	-20°C~60°C
Working Hours	50,000 Hrs

APPLICATION

- Modern Workspaces
- Institutions
- Small format Retail outlets
- Hotels
- High end Villa's



LED

COB



CCT

- 3000K
- 4000K
- 6000K

Finish



Material Description

Housing: Die-cast aluminum
 Reflector: Mirror finished aluminum
 Diffuser: PMMA Opal pc Lens

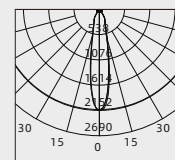
Beam Angle



Dimming Options



Photometric



For detailed technical project cut sheet can be requested by our online portal at www.priorled.com

