



Outdoor Surface

SPECIFICATIONS

FAMILY RANGE

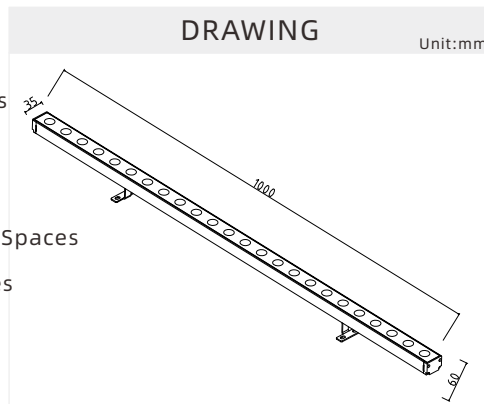
Code	Power	Dimensions	Cut-out
SL-2826-24X1	24W	1000*35*H60mm	-

PARAMETERS

Efficacy	110lm/W
CRI	>90
Adjustable	NO
Color Consistency	SDCM
Pf	0.9
Input Voltage	24V
Operating Temp.	-20°C~60°C

APPLICATION

1. Architectural Lighting
2. Art Galleries and Museums
3. Hotel Lobbies
4. Restaurants and Bars
5. Theater and Performance Spaces
6. Event and Wedding Venues
7. Outdoor Facade Elevation
8. Casinos
9. Public Art Installations
10. Sports Facilities



LED

H-SMD

CCT



- 3000K
- 4000K
- 6000K

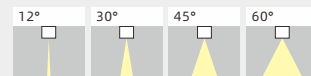
Finish



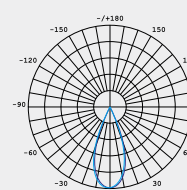
Material Description

Housing: Die cast aluminum
Diffuser: Tempered clear glass with optical lens

Beam Angle



Photometric



For detailed technical project cut sheet can be requested by our online portal at www.priorled.com

