



Outdoor Flood Light

SPECIFICATIONS

FAMILY RANGE

Code	Power	Dimensions
FL-4872-50	50W	165*26*H191mm
FL-4872-150	150W	231*30*H276mm
FL-4872-200	200W	266*31*H312mm

PARAMETERS

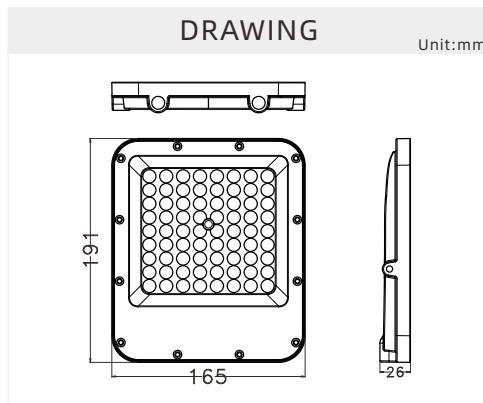
Efficacy	140lm/W
CRI	>90
Adjustable	NO
Color Consistency	SDCM
Pf	0.9
Input Voltage	AC220-240V 50/60Hz
Operating Temp.	-20°C~60°C

APPLICATION

1. Stadiums
2. Parking Lots
3. Outdoor Arenas
4. Security Lighting
5. Architectural Lighting
6. Landscape Lighting
7. Industrial Facilities
8. Billboards
9. Warehouses
10. Construction Sites
11. Sports Fields
12. Facade Lighting
13. Parking Garages
14. Public Parks
15. Amusement Parks

DRAWING

Unit:mm



LED

H-SMD

CCT



- 3000K
- 4000K
- 6000K

Finish

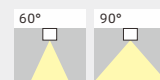


GR

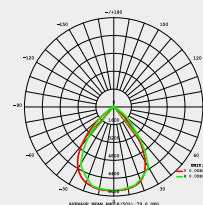
Material Description

Housing: Die cast aluminum with AKESU powder Coating
 Reflector: PMMA optical lens controlling flux with transparent tempered glass

Beam Angle



Photometric



For detailed technical project cut sheet can be requested by our online portal at www.priorled.com

