



Outdoor Surface

SPECIFICATIONS

FAMILY RANGE

Code	Power	Dimensions	Cut-out
SL-2820-6X2	12W	Ø120*H152mm	-

PARAMETERS

Efficacy	100lm/W
CRI	>90
Adjustable	NO
Color Consistency	SDCM
Pf	0.9
Input Voltage	AC220-240V 50/60Hz - 24V - 12V
Operating Temp.	-20°C~60°C

LED

H-SMD

CCT



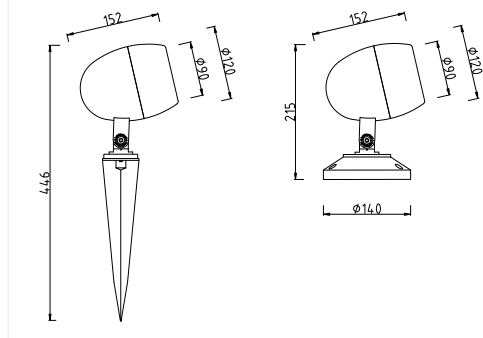
- 3000K
- 4000K
- 6000K

Finish



DRAWING

Unit:mm



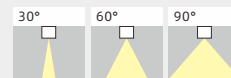
APPLICATION

1. Garden Beds and Flower Borders
2. Pathways and Walkways
3. Lawn and Grass Areas
4. Trees and Shrubs
5. Outdoor Seating Areas
6. Water Features
7. Statues and Sculptures
8. Architectural Features
9. Perimeter Lighting
10. Outdoor Kitchen and Cooking Areas
11. Deck and Deck Stairs

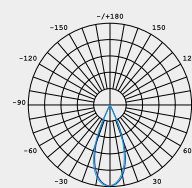
Material Description

Housing: Die cast aluminum
Diffuser: Tempered clear glass with optical lens

Beam Angle



Photometric



For detailed technical project cut sheet can be requested by our online portal at www.priorled.com

