



Outdoor Surface

SPECIFICATIONS

FAMILY RANGE

| Code | Power | Dimensions | Cut-out |
|--------------|-------|------------|---------|
| SL-2823-24X1 | 24W | Ø73*H113mm | - |

PARAMETERS

| | |
|-------------------|--------------------------------|
| Efficacy | 100lm/W |
| CRI | >90 |
| Adjustable | NO |
| Color Consistency | SDCM |
| Pf | 0.9 |
| Input Voltage | AC220-240V 50/60Hz - 24V - 12V |
| Operating Temp. | -20°C~60°C |

LED

H-SMD

CCT



- 3000K
- 4000K
- 6000K

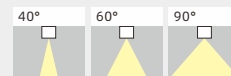
Finish



Material Description

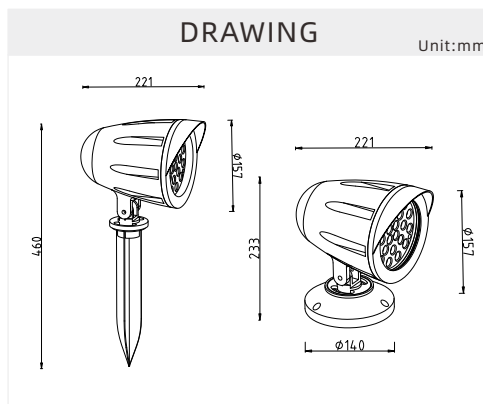
Housing: Die cast aluminum with ABS plastic (spike) and aluminum base
Diffuser: Tempered clear glass with optical lens

Beam Angle



DRAWING

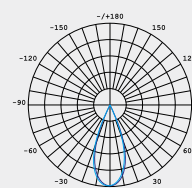
Unit:mm



APPLICATION

1. Garden Beds and Flower Borders
2. Pathways and Walkways
3. Lawn and Grass Areas
4. Trees and Shrubs
5. Outdoor Seating Areas
6. Water Features
7. Statues and Sculptures
8. Architectural Features
9. Perimeter Lighting
10. Outdoor Kitchen and Cooking Areas
11. Deck and Deck Stairs

Photometric



For detailed technical project cut sheet can be requested by our online portal at www.priorled.com

